



MILLER  
**STAIRCASES**  
2016

MILLER STAIRCASE

## MILLER STAIRCASE

It will prove ideal in areas where space is at a premium but frequent traffic is essential. It constitutes a perfect solution for summer houses, mezzanines or habitable loft spaces. The Miller Staircase provides a safe, simple and convenient means of communication between floors.

MILLER STAIRCASE



MSP Pivot

# SPACE SAVING

## SPACE SAVING

The staircase has been designed with the user's convenience and comfort in mind with a particular focus on retaining its compact size for easy fit in small rooms.

SPACE SAVING

EASY INSTALLATION

# EASY

## EASY INSTALLATION

The staircase is installed in a very easy and quick way using only basic tools.

# WARRANTY

## WARRANTY

FAKRO Miller Staircases come with a 3-year warranty.

# WARRANTY



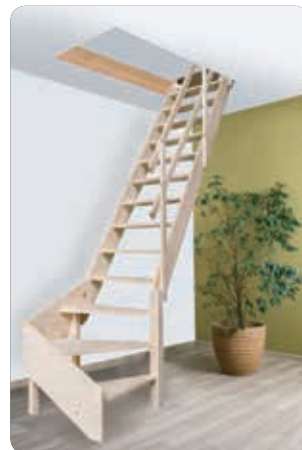
**MSU** Universal



**MSA** Altero



**MSS** Superior



**MSW** Winder

# TYPES OF STAIRCASES AND THEIR SELECTION

FAKRO offers a wide range of miller staircase models which will satisfy even the most diverse needs of our customers. The MSP leaning staircase is ideal for mezzanines and rooms with very limited space, where it is necessary to fold away the ladder when the staircase is not in use.

## MILLER STAIRCASE

### MSP Pivot

new!



The **MSP Pivot** leaning staircase thanks to its special design and the use of lightweight spruce wood can be folded away freeing up the space around the staircase when it is not in use. For added safety and comfort as standard the staircase is equipped with a handrail which can be mounted on the left- or right-hand side.

### MSU Universal



The **MSU Universal** is the most popular straight miller staircase made of solid spruce wood. The straight treads with fixed width, lightweight latticework construction and the appropriately selected inclination of the ladder guarantee outstanding functionality and optimal comfort while moving between floors. The staircase can be successfully utilised as a long term solution in private homes, summer houses or apartments as well as on a temporary bases wherever ensuring safe communication is required. The staircase can be additionally fitted with a handrail mounted on the right or on the left.

### MSA Altero

new!



The **MSA Altero** staircase with alternating tread design provides optimal level of comfort despite its significant steepness. The alternating tread staircase is ideal for rooms with limited floor space or where small openings in the ceiling restrict the free space above the stairs. As standard, the staircase comes without a handrail but it is possible to purchase the **MXH-A** handrail and mount it on either side of the run of the stairs.



ready to be painted



easy height adjustment



supplied with installation kit



ready to be painted



can be fitted with accessories



easy height adjustment



supplied with installation kit



ready to be painted



can be fitted with accessories



easy height adjustment



supplied with installation kit

The MSA alternating tread staircase thanks to its design occupies very little space inside the room while maintaining optimal comfort of use. Both MSP and MSA staircases can be successfully utilised even in small ceiling openings normally adapted to loft ladders. In case of more spacious rooms requiring a miller staircase, it is possible to select one of the models of solid straight staircases: MSU or its larger counterpart MSS. Additionally, in rooms where the inconvenient positioning of the walls excludes the use of straight staircases, it is possible to use MSW-L left-handed or MSW-R right-handed winder treads in conjunction with the MSS staircase.

## MSW WINDER STAIRCASE

### MSS Superior

new!



The **MSS Superior** Miller Staircase is largest of all our models of miller staircases, characterised by a robust and durable design. In order to increase the comfort and safety of use the Superior staircase utilises wider and longer treads and more gentle inclination angle of the ladder. The staircase is made of light spruce, prepared for any colouring. The supplied instructions make adjusting the staircase to the ceiling height a very easy task for the customer. As standard, the staircase comes without a handrail but it is possible to purchase the MXH-S handrail and mount it on either side of the stairs.

### MSW-L, MSW-R Winder

new!



The **MSW Winder** (left or right) to be used in conjunction with MSS Superior makes it possible to adapt the structure of the staircase to the room in which the use of straight stairs is not possible. Installation of the MSW winder with the MSS staircase increases its usable range up to the floor height of 3.57m. The MXH-S handrail can be additionally purchased and mounted on either side of the stairs.



ready to be painted



can be fitted with accessories



easy height adjustment



supplied with installation kit



ready to be painted



can be fitted with accessories



easy height adjustment



supplied with installation kit

WOODEN  
STATIONARY  
STAIRCASE



# SCHODY MŁYNARSKIE

**new!**

The **MSP Pivot** leaning staircase thanks to its special design and the use of lightweight spruce wood can be folded away freeing up the space around the staircase when it is not in use. For added safety and comfort as standard the staircase is equipped with a handrail which can be mounted on the left- or right-hand side.

**MSP  
PIVOT**



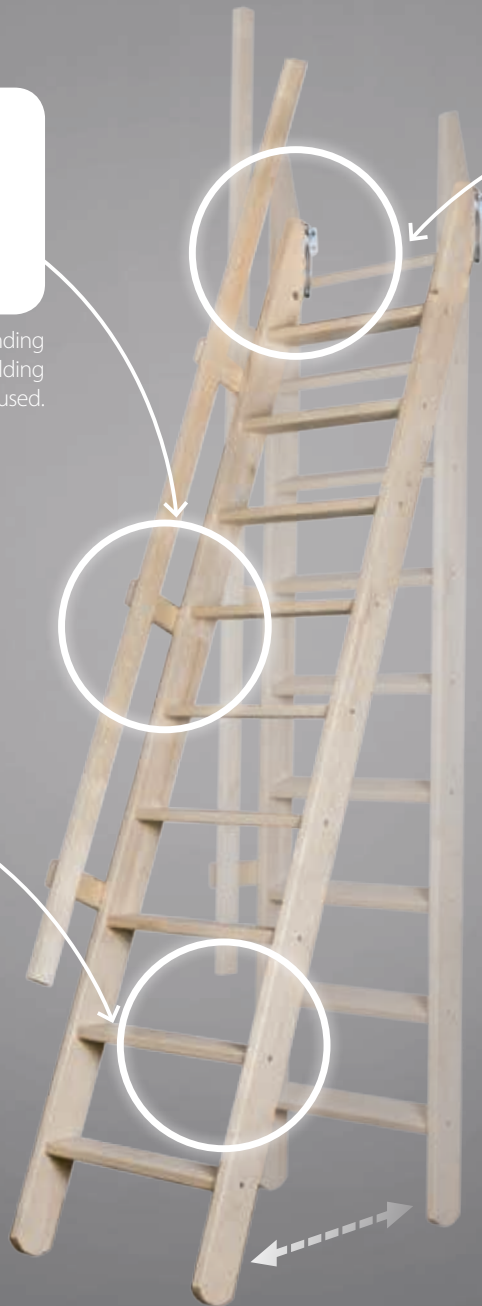
Patent-pending mechanism for folding away when not used.



Equipped with handrail to be fixed on the left or on the right.



Robust tenon connections of treads in stringers strengthened with screws supplied with the staircase.



ready to be painted



easy height adjustment



supplied with installation kit

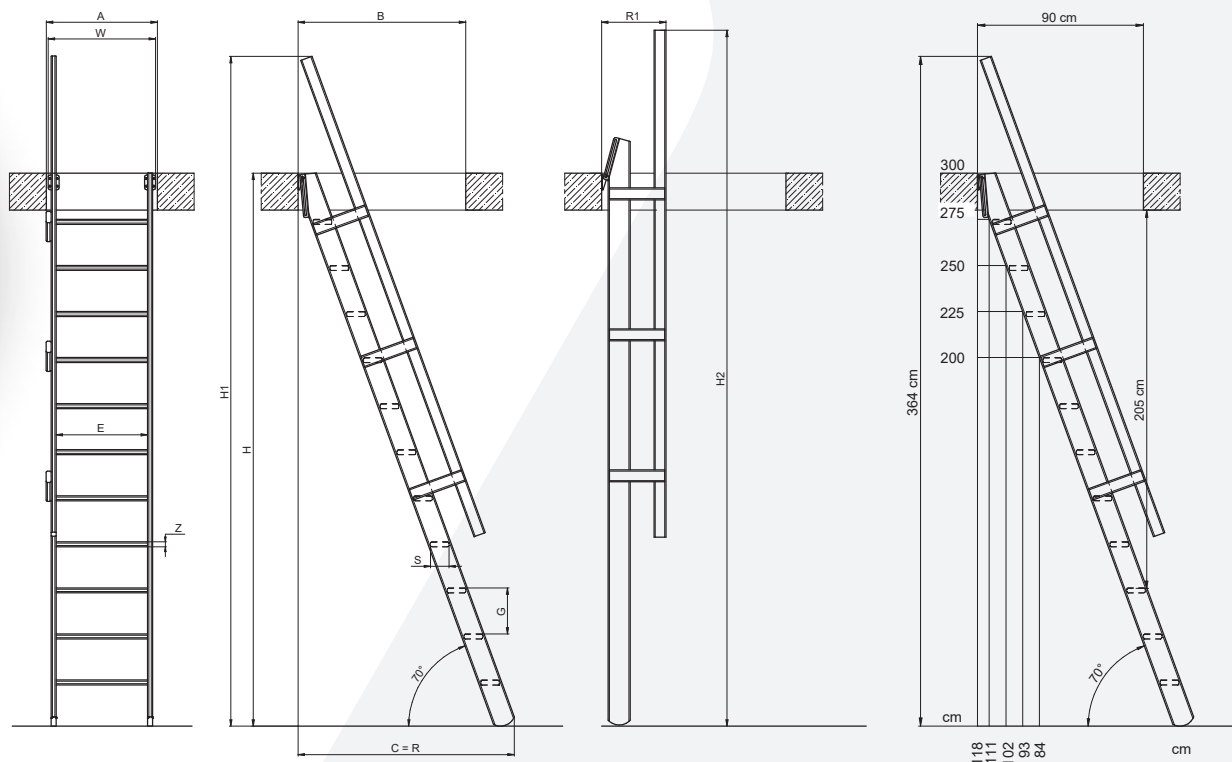
DIY installation



**3** years  
WARRANTY

Technical specification:  
**permissible load 160 kg**  
**ladder inclination 70°**

# DIAGRAM OF MSP PIVOT STAIRCASE



## DIMENSIONS OF MSP STAIRCASE

Size		55 cm
Max. floor height [cm]	<b>H</b>	300
Min. floor height [cm]	<b>H Min.</b>	200
Installed staircase height with handrail [cm]	<b>H1</b>	364
Folded staircase height with handrail [cm]	<b>H2</b>	378
Min. ceiling opening dimensions [cm]	<b>AxB</b>	60x90
Distance occupied by staircase on the floor [cm]	<b>C</b>	118
Distance occupied by staircase on the floor with handrail [cm]	<b>R</b>	118
Distance occupied by staircase after folding [cm]	<b>R1</b>	35
Staircase width [cm]	<b>W</b>	59
Number of treads [pcs]		11
Distance between treads [cm]	<b>G</b>	25
Tread thickness [cm]	<b>Z</b>	2,7
Tread width [cm]	<b>E</b>	50
Tread depth [cm]	<b>S</b>	10
Ladder inclination [°]		70



# MILLER STAIRCASE

**MSU  
UNIVERSAL**

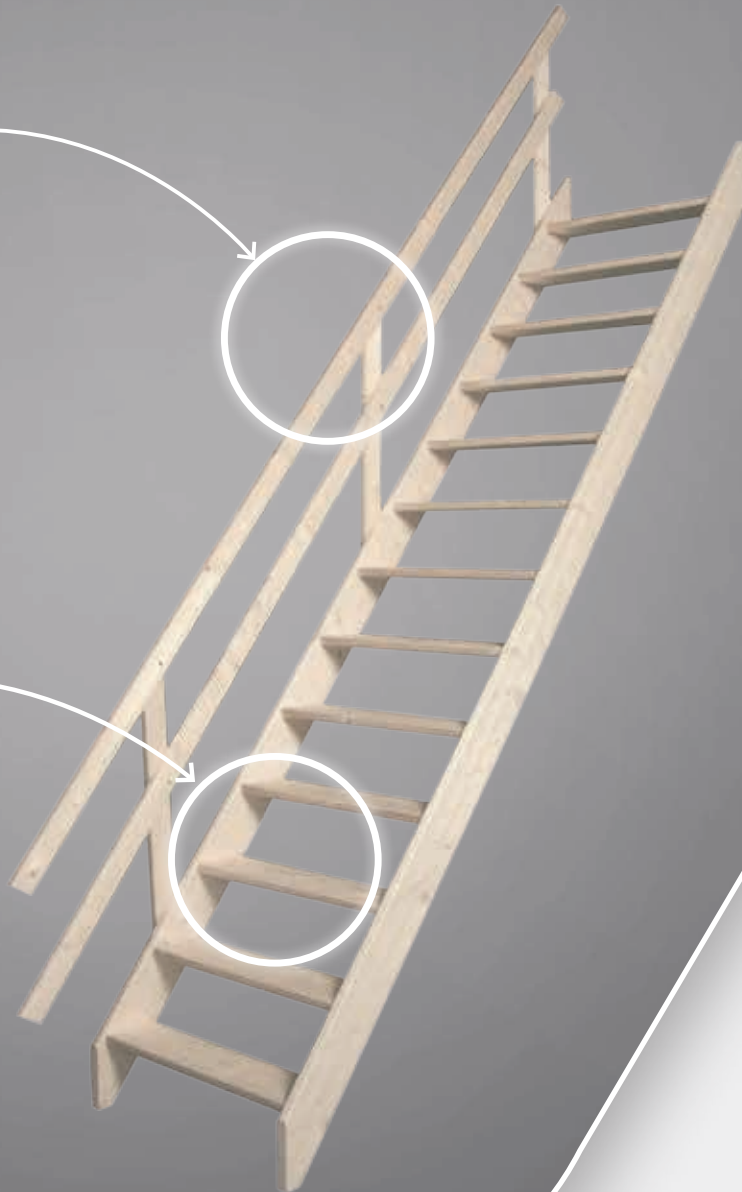
The **MSU Universal** is the most popular straight miller staircase made of solid spruce wood. The straight treads with fixed width, lightweight latticework construction and the appropriately selected inclination of the ladder guarantee outstanding functionality and optimal comfort while moving between floors. The staircase can be successfully utilised as a long term solution in private homes, summer houses or apartments as well as on a temporary bases wherever ensuring safe communication is required. The staircase can be additionally fitted with a handrail mounted on the right or on the left.



MXH safety handrail mounted on the right or left side of the staircase - as an accessory.



Robust tenon connections of treads in stringers strengthened with screws supplied with the staircase.



ready to be painted



easy height adjustment



can be fitted with accessories



supplied with installation kit

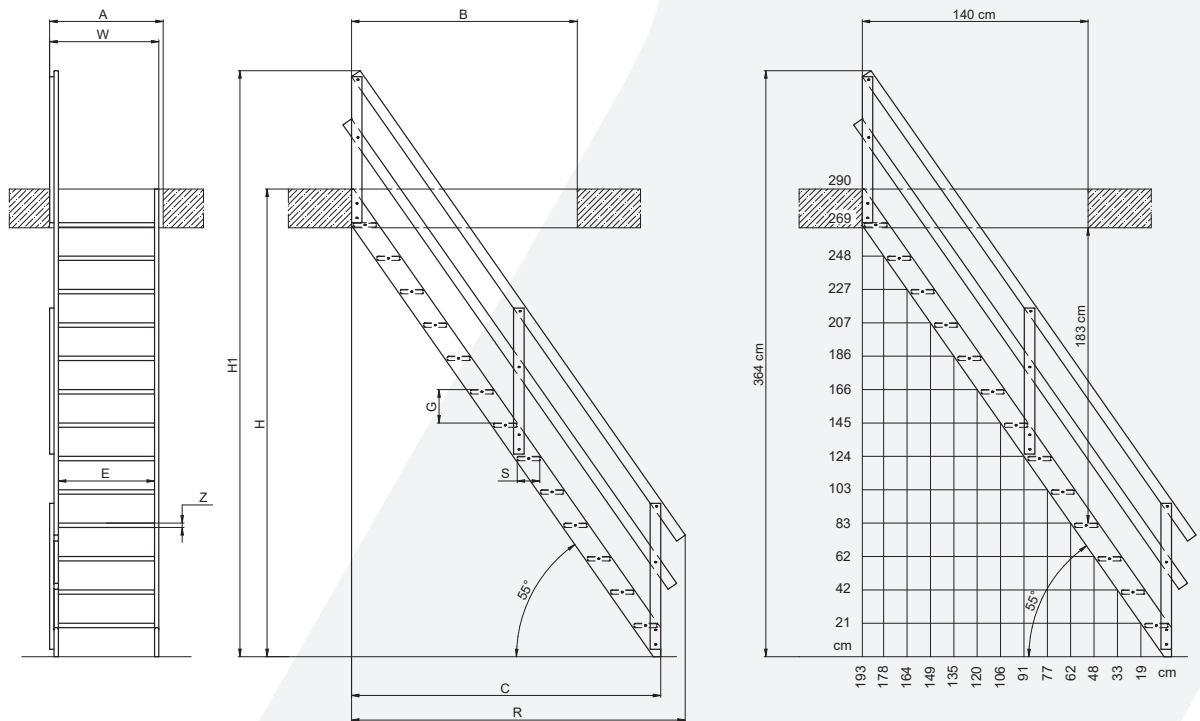
Technical specification:  
**permissible load 160 kg**  
**ladder inclination 55°**

DIY installation





# DIAGRAM OF MSU UNIVERSAL STAIRCASE



## DIMENSIONS OF MSU STAIRCASE

Size		65cm
Max. floor height [cm]	<b>H</b>	290
Installed staircase height with handrail [cm]	<b>H1</b>	364
Min. ceiling opening dimensions [cm]	<b>AxB</b>	70x 140
Distance occupied by staircase on the floor [cm]	<b>C</b>	192
Distance occupied by staircase on the floor with handrail [cm]	<b>R</b>	207
Staircase width [cm]	<b>W</b>	65
Number of treads [pcs]		13
Distance between treads [cm]	<b>G</b>	21
Tread thickness [cm]	<b>Z</b>	2,7
Tread width [cm]	<b>E</b>	60
Tread depth [cm]	<b>S</b>	14
Ladder inclination [°]		55



# MILLER STAIRCASE

**new!**

**MSA  
ALTERO**

The **MSA Altero** staircase with alternating tread design provides optimal level of comfort despite its significant steepness. The alternating tread staircase is ideal for rooms with limited floor space or where small openings in the ceiling restrict the free space above the stairs. As standard, the staircase comes without a handrail but it is possible to purchase the MXH-A handrail and mount it on either side of the run of the stairs.



Robust tenon connections of treads in stringers strengthened with screws supplied with the staircase



Alternating tread design – “duck-step”



MXH-A safety handrail mounted on the right or left side of the staircase – as an accessory.



ready to be painted



easy height adjustment



can be fitted with accessories



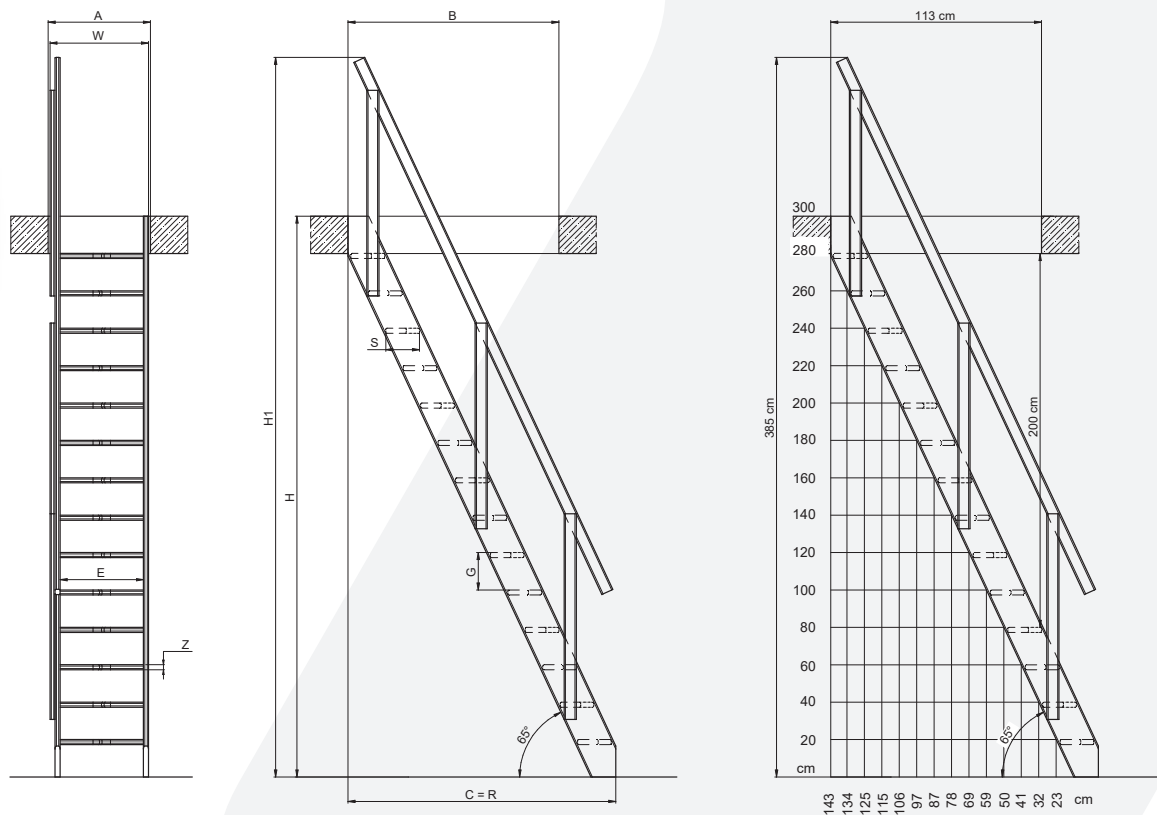
supplied with installation kit

Technical specification:  
**permissible load 160 kg**  
**ladder inclination 65°**

DIY installation



# DIAGRAM OF MSA ALTERO STAIRCASE



## DIMENSIONS OF MSA STAIRCASE

Size		60cm
Max. floor height [cm]	<b>H</b>	300
Installed staircase height with handrail [cm]	<b>H1</b>	385
Min. ceiling opening dimensions [cm]	<b>AxB</b>	64x113
Distance occupied by staircase on the floor [cm]	<b>C</b>	144
Distance occupied by staircase on the floor with handrail [cm]	<b>R</b>	144
Staircase width [cm]	<b>W</b>	63
Number of treads [pcs]		14
Distance between treads [cm]	<b>G</b>	20
Tread thickness [cm]	<b>Z</b>	2,7
Tread width [cm]	<b>E</b>	55
Tread depth [cm]	<b>S</b>	18/11
Ladder inclination [°]		65



# MILLER STAIRCASE

**new!**

The **MSS Superior** Miller Staircase is largest of all our models of miller staircases, characterised by a robust and durable design. In order to increase the comfort and safety of use the Superior staircase utilises wider and longer treads and more gentle inclination angle of the ladder. The staircase is made of light spruce, prepared for any colouring. The supplied instructions make adjusting the staircase to the ceiling height a very easy task for the customer. As standard, the staircase comes without a handrail but it is possible to purchase the MXH-S handrail and mount it on either side of the stairs.

**MSS  
SUPERIOR**



Robust tenon connections of treads in stringers strengthened with screws supplied with the staircase.



MXH-S safety handrail mounted on the right or left side of the staircase - as an accessory.



ready to be painted



easy height adjustment



can be fitted with accessories



supplied with installation kit

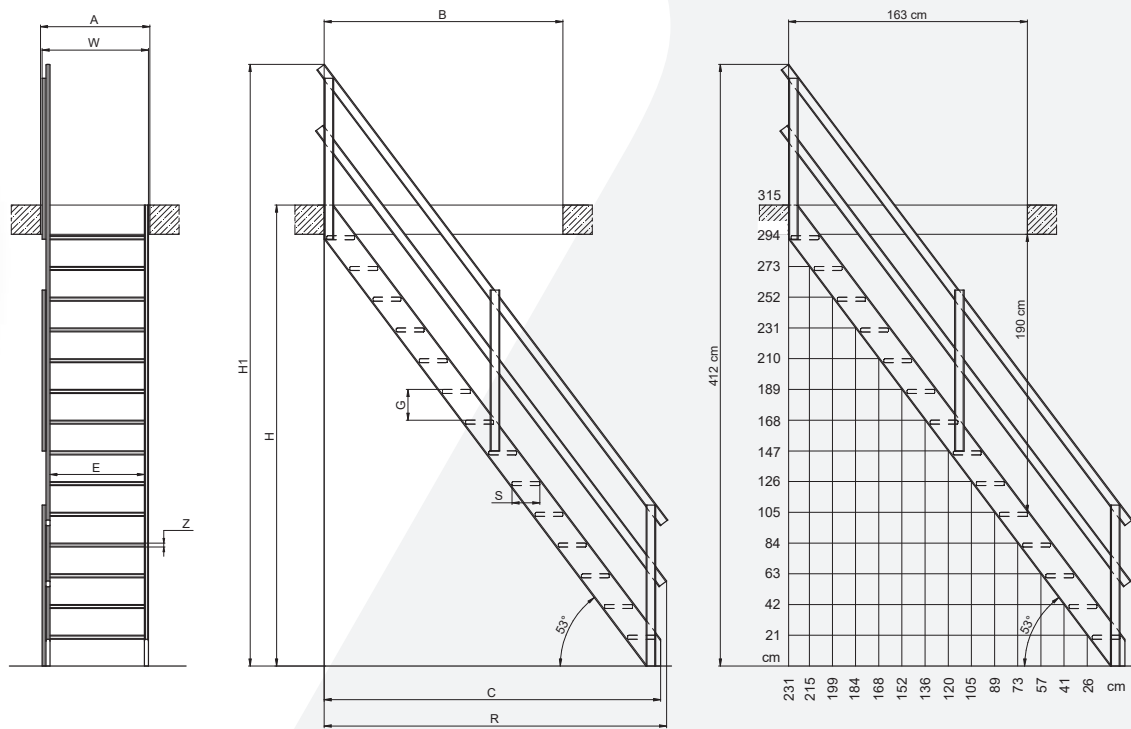
Technical specification:  
**permissible load 160 kg**  
**ladder inclination 53°**

DIY installation



**3** years  
WARRANTY

# DIAGRAM OF MSS SUPERIOR



## DIMENSION OF MSS STAIRCASE

Size		70 cm
Max. floor height [cm]	<b>H</b>	315
Installed staircase height with handrail [cm]	<b>H1</b>	412
Min. ceiling opening dimensions [cm]	<b>AxB</b>	75x163
Distance occupied by staircase on the floor [cm]	<b>C</b>	230
Distance occupied by staircase on the floor with handrail [cm]	<b>R</b>	234
Staircase width [cm]	<b>W</b>	73
Number of treads [pcs]		14
Distance between treads [cm]	<b>G</b>	21
Tread thickness [cm]	<b>Z</b>	2,7
Tread width [cm]	<b>E</b>	65
Tread depth [cm]	<b>S</b>	19
Ladder inclination [°]		53



# MSW WINDER STAIRCASE



The **MSW Winder (left or right)** to be used in conjunction with MSS Superior makes it possible to adapt the structure of the staircase to the room in which the use of straight stairs is not possible. Installation of the MSW winder with the MSS staircase increases its usable range up to the floor height of 3.57m. The MXH-S handrail can be additionally purchased and mounted on either side of the stairs.

**MSW-L**  
**MSW-R**  
**WINDER**



Robust tenon connections of treads in stringers strengthened with screws supplied with the staircase



MSW-L left-handed winder treads



MSW-R right-handed winder treads



ready to be painted



easy height adjustment



can be fitted with accessories



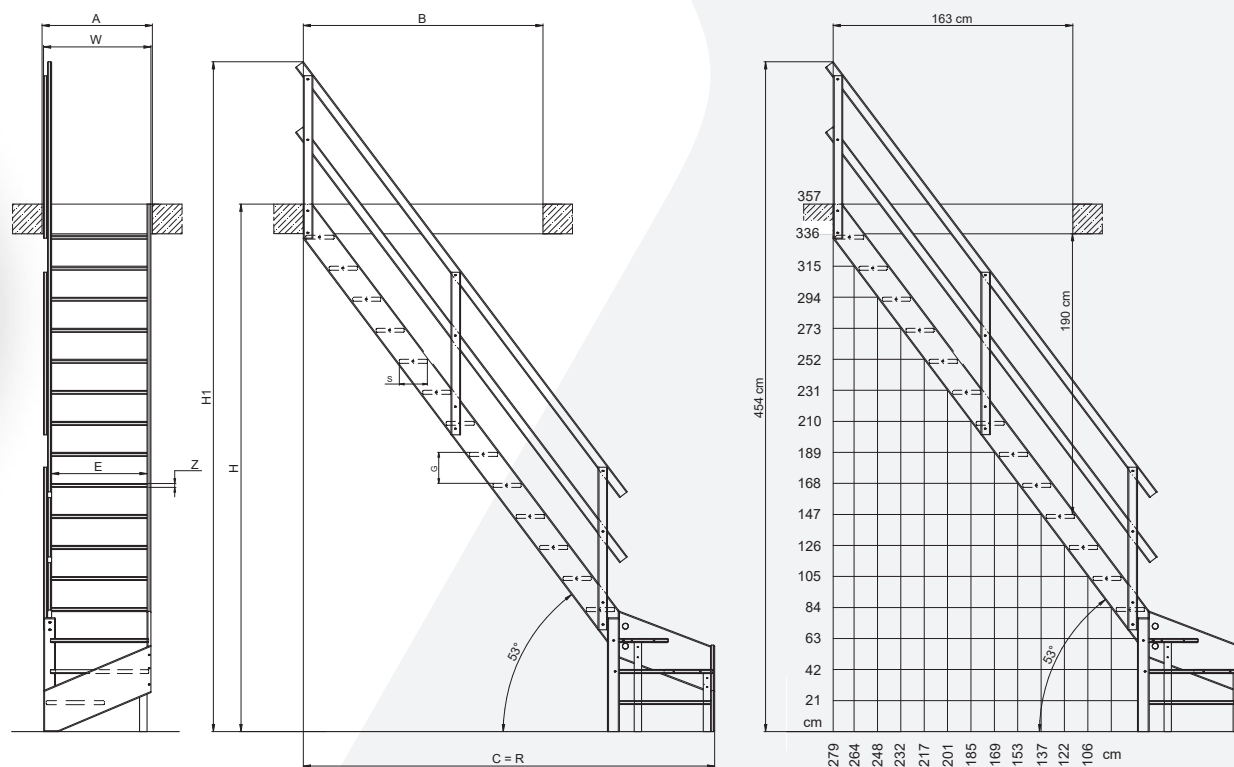
supplied with installation kit

Technical specification:  
**permissible load 160 kg**  
**ladder inclination 53°**

DIY installation



# DIAGRAM OF MSS SUPERIOR WITH MSW-L WINDER



## DIMENSIONS OF MSW WINDER IN CONJUNCTION WITH MSS STAIRCASE

Size		70 cm
Max. floor height [cm]	<b>H</b>	357
Installed staircase height with handrail [cm]	<b>H1</b>	454
Min. ceiling opening dimensions [cm]	<b>AxB</b>	75x163
Distance occupied by staircase on the floor [cm]	<b>C</b>	279
Distance occupied by staircase on the floor with handrail [cm]	<b>R</b>	279
Staircase width [cm]	<b>W</b>	73
Number of treads [pcs]		16
Distance between treads [cm]	<b>G</b>	21
Tread thickness [cm]	<b>Z</b>	2,7
Tread width [cm]	<b>E</b>	65
Tread depth [cm]	<b>S</b>	19
Ladder inclination [°]		53



[www.fakro.com](http://www.fakro.com)